



INFLOW

VALVES

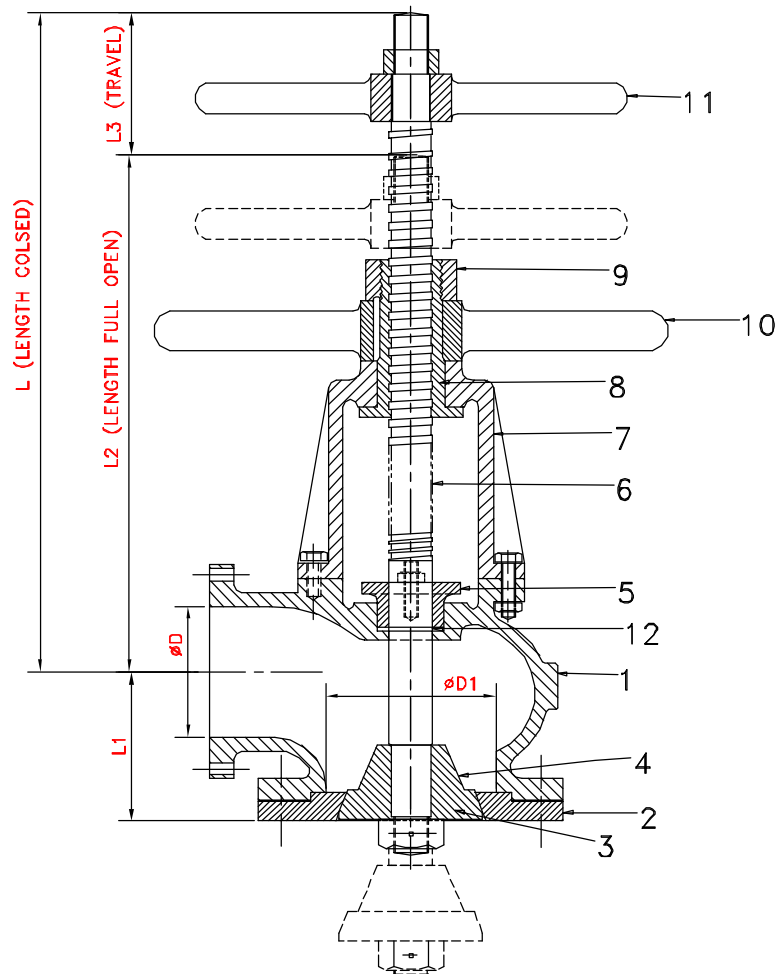
PRODUCT DESCRIPTION : ANGLE VALVES WITH EXTERNAL DISC

STANDARDS FOLLOWED

Manufacturing :

BS-5351/API 6D

Testing : BS-6755/API 6D



Part No	Part Name	Material Code								SPECIFICATION OF MATERIAL						
		A	B	C	D	I	J	O		A=CS(BS)ASTM A216 Gr WCB	O=ASTM A 352 Gr LCB	B=ASTM A 351 Gr CF8	P=ASTM A 217 Gr CA15	C=ASTM A 351 Gr CF8M	E=AISI - 304	
1	Body	A	B	C	D	I	J	O		A=CS(BS)ASTM A216 Gr WCB	O=ASTM A 352 Gr LCB	B=ASTM A 351 Gr CF8	P=ASTM A 217 Gr CA15	C=ASTM A 351 Gr CF8M	E=AISI - 304	
2	Seat	A	B	C	D	I	J	O		A=CS(BS)ASTM A216 Gr WCB	O=ASTM A 352 Gr LCB	B=ASTM A 351 Gr CF8	P=ASTM A 217 Gr CA15	C=ASTM A 351 Gr CF8M	E=AISI - 304	
3	Disc	E	B	C	D	I	J	F		A=CS(BS)ASTM A216 Gr WCB	O=ASTM A 352 Gr LCB	B=ASTM A 351 Gr CF8	P=ASTM A 217 Gr CA15	C=ASTM A 351 Gr CF8M	E=AISI - 304	
5	Packing Gland	J	E	F	D	I				A=CS(BS)ASTM A216 Gr WCB	O=ASTM A 352 Gr LCB	B=ASTM A 351 Gr CF8	P=ASTM A 217 Gr CA15	C=ASTM A 351 Gr CF8M	E=AISI - 304	
6	Stem	EN-8								I=ASTM A 494 N 12MV	GFT= GLASS FILLED TEFLON					
7	Yoke	A	B	C	D	I	J	O	M.S.	J=ASTM A 494 CW 12MW	S= C.S. STELLITE					
8	Stem Bush	EN-8								Dimension Details						
9	Nut	A	B	C	D	I	J	O	C.S.	Size	ϕD	$\phi D1$	L1	L2	L3	L
10	Locking Handle	A	B	C	D	I	J	O	M.S.	6X6	6	6	8 ³ / ₁₆	1'-9 ⁶ / ₆₄ "	8 ³ / ₆₄ "	2'-5 ¹ / ₁₆ "
11	Operating Handle	A	B	C	D	I	J	O	M.S.	6X8	6	8	8 ³ / ₁₆	1'-9"	7 ⁹ / ₁₆ "	2'-4 ⁵ / ₁₆ "
12	Wearing Ring	A	CARBON STEEL							8X8	8	8	8 ³ / ₁₆	1'-10 ⁵ / ₈ "	8 ⁹ / ₁₆ "	2'-7 ³ / ₁₆ "
										10X10						
										14X14	14X14	14X14	14X14	14X14	14X14	14X14
										18X18	18X18	18X18	18X18	18X18	18X18	18X18

TESTING DETAILS	HYDROSTATIC TEST		
		SHELL TEST	SEAT TEST
	C.I	350 LBS	225 LBS
C.STEEL	350 LBS	350 LBS	

ALL DIMENSIONS ARE IN INCHES

1. DUE TO CONTINUOUS DEVELOPMENT PROGRAM DIMENSIONS ARE SUBJECT TO CHANGES WITHOUT ANY FURTHER NOTICE

2. OTHER MATERIALS UPON REQUEST.

CUSTOMER :	CERTIFICATION SEAL
ENQUIRY/ORDER NO:	
JOB PROJECTS :	
OUR REF NO :	