



INFLOW

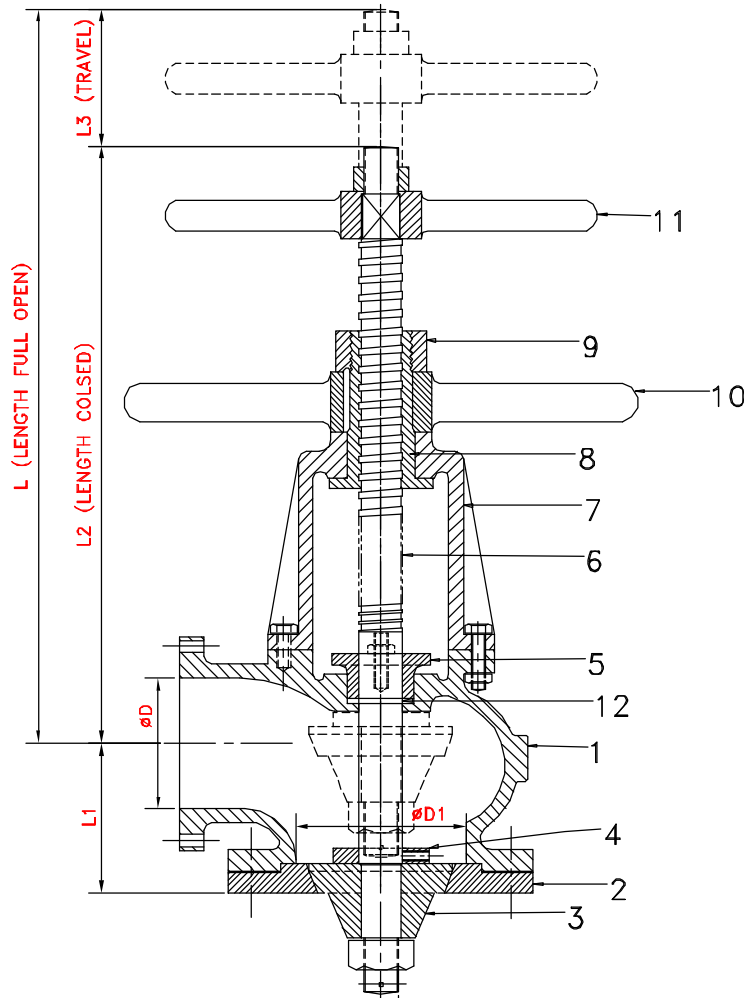
VALVES

PRODUCT DESCRIPTION : ANGLE VALVE WITH INTERNAL DISC

STANDARDS FOLLOWED

Manufacturing : BS-5351/API 6D

Testing : BS-6755/API 6D



Part No	Part Name	Material Code								SPECIFICATION OF MATERIAL							
		A	B	C	D	I	J	O		A=CS(BS)ASTM A216 Gr WCB	O=ASTM A 352 Gr LCB						
1	Body	A	B	C	D	I	J	O		A=CS(BS)ASTM A216 Gr WCB	O=ASTM A 352 Gr LCB						
2	Seat	A	B	C	D	I	J	O		B=ASTM A 351 Gr CF8	P=ASTM A 217 Gr CA15						
3	Disc	E	B	C	D	I	J	F		C=ASTM A 351 Gr CF8M	E=AISI - 304						
4	Set Collar	J	E	F	D	I				D=ASTM A 351 Gr CN7M	F=ASISI - 316						
5	Packing Gland	J	E	F	D	I				I=ASTM A 494 N 12MV	GFT= GLASS FILLED TEFLON						
6	Stem	EN-8								J=ASTM A 494 CW 12MW							
7	Yoke	A	B	C	D	I	J	O	M.S.	Size	Dimension Details						
8	Stem Bush	EN-8								ϕD	$\phi D1$	L1	L2	L3	L		
9	Nut	A	B	C	D	I	J	O	C.S.	4X4							
10	Locking Handle	A	B	C	D	I	J	O	M.S.	4X6	4	6	7 ³ / ₁₆	1'-8 ¹ / ₄	2 ³ / ₈	1'-5 ⁵ / ₈	
11	Operating Handle	A	B	C	D	I	J	O	M.S.	6X6	6	6	8 ³ / ₁₆	1'-7 ¹⁵ / ₁₆	6 ⁸ / ₁₆	2'-2 ¹ / ₈	
12	Wearing Ring	A	CARBON STEEL								6X8	6	8	8 ³ / ₁₆	1'-9 ⁷ / ₁₆	6 ¹ / ₈	2'-4 ¹ / ₁₆
										8X8	8	8	8 ³ / ₁₆	1'-11 ¹ / ₁₆	8 ³ / ₈	2'-8"	
										10X10	10	10	9 ¹ / ₂	3'-1 ¹ / ₂ "	8"	3'-9 ¹ / ₂ "	
										14X14	14	14	13 ¹ / ₈	3'-3 ²⁷ / ₃₂	1'-3 ² / ₃₂	4'-7 ¹ / ₁₆	

TESTING DETAILS			
HYDROSTATIC TEST			
	SHELL TEST	SEAT TEST	
C.I	350 LBS	225 LBS	
C.STEEL	350 LBS	350 LBS	

ALL DIMENSIONS ARE IN INCHES

1. DUE TO CONTINUOUS DEVELOPMENT PROGRAM DIMENSIONS ARE SUBJECTED TO CHANGES WITHOUT ANY FURTHER NOTICE

2. OTHER MATERIALS UPON REQUEST.

CUSTOMER :	CERTIFICATION SEAL
ENQUIRY/ORDER NO:	
JOB PROJECTS :	
OUR REF NO :	