

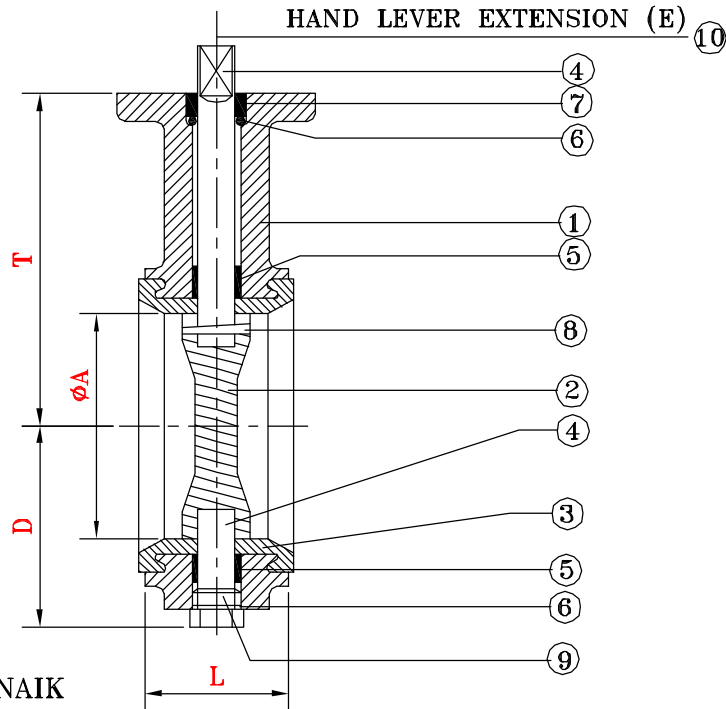


INFLOW

INDUSTRIAL VALVES

PRODUCT DESCRIPTION : BUTTERFLY VALVE

SERIES :



KIND ATTN: SHRI. R.V.NAIK

Part No	Part Name	Material Code	SPECIFICATION OF MATERIAL					
			A=CS	ASTM A216 Gr WCB	I=AISI 410	J=Neoprene		
1	Body	R X A B C	B=SS	CF8/CH8M	K=Viton	L=Viton		
2	Disc	C X A B D C	C=SG	Iron GGG40	M=AISI - 304			
3	Seat	E F G J K	D=AL.	BRONZE IS305 Gr2	N=ASISI - 316	O=POLYACETAL		
4	Shafts	I M N	E=Black	Nitrile	F=EPDM	PTFE	P=C.I, GG-25	
5	Bearing	H PTFE	G=Si.	Hypalon	H=Ph.	Bronze	Q=CAST STEEL	R=S.S
6	'O' Rings	X F J Nitrile	Size				Dimension Details	
7	Bush	O PTFE	L	D	T	E	Wt/Kg	
8	Taper Pin	I M N	40	33	66	106	250	3.1
9	Plug	CARBON STEEL	50	43	70	113	250	3.7
10	Hand Lever	X P Q R	65	46	76	121	250	4.5
			80	46	89	129	250	4.8
			100	52	96	147	250	6
			125	56	109	158	250	7.9
			150	56	133	176	315	11
			200	60	158	200	315	15.5
			250	68	194	245	500	27
			300	78	219	270		36
			350	78	260	321		
			400	100	290	348		
			450	108	320	373		
			500	127	360	410		
			600	149	420	470		

TECHNICAL DATA	
PRESSURE RATING	PN10 & PN16
PRESSURE TESTING	a) Body : 1.5 X PN b) Seat : 1.1 X PN
TEMPERATURE	(-) 40° C TO 200° C
FACE TO FACE DIMENSION	ISO-5752 / IS-13095/ BS-5155
TO SUIT FLANGES DRILLED AS PER	IS,ANSI,BS, DIN STANDARD
OPERATION	Bidirectional
PAINTING	Epoxy coated

ALL DIMENSIONS ARE IN mm
 1. DUE TO CONTINUOUS DEVELOPMENT PROGRAM DIMENSIONS ARE SUBJECTED TO CHANGES WITHOUT ANY FURTHER NOTICE
 2. OTHER MATERIALS UPON REQUEST.

CUSTOMER : The Ugar Sugar Works Limited	CERTIFICATION SEAL
ENQUIRY/ORDER NO:	
JOB PROJECTS :	
OUR REF NO :	

Note : 1. SIZES UPTO 250MM WITH HAND LEVER OPERATED
 2. 300 & ABOVE SIZES WITH GEAR BOX OPERATED.

MANUFACTURERS : **FLOW CONTROL ENGINEERS** D-66, GOVT. INDUSTRIAL ESTATE BELGAUM - 590 008.