

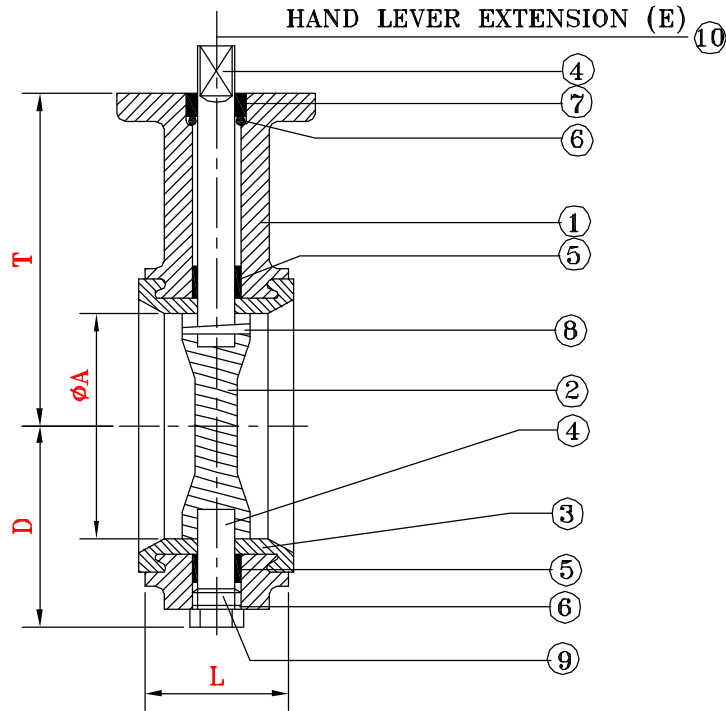


# INFLOW

## INDUSTRIAL VALVES

PRODUCT DESCRIPTION : BUTTERFLY VALVE

SERIES :



| Part No | Part Name  | Material Code | SPECIFICATION OF MATERIAL |                  |               |              |                   |       |
|---------|------------|---------------|---------------------------|------------------|---------------|--------------|-------------------|-------|
|         |            |               | A=CS                      | ASTM A216 Gr WCB | I=AISI 410    | J=Neoprene   |                   |       |
| 1       | Body       | P C A B C     | B=SS                      | CF8/CH8M         | K=Viton       | L=Viton      |                   |       |
| 2       | Disc       | E F G J K     | C=SG                      | Iron GGG40       | M=AISI - 304  |              |                   |       |
| 3       | Seat       | I M N         | D=AL.                     | BRONZE IS305 Gr2 | N=ASISI - 316 | O=POLYACETAL |                   |       |
| 4       | Shafts     | H PTFE        | E=Black                   | Nitrile          | F=EPDM        | PTFE         | P=C.I, GG-25      |       |
| 5       | Bearing    | K F J Nitrile | G=Si.                     | Hypalon          | H=Ph.         | Bronze       | Q=CAST STEEL      | R=S.S |
| 6       | 'O' Rings  | O PTFE        | Size                      |                  |               |              | Dimension Details |       |
| 7       | Bush       | I M N         | L                         | D                | T             | E            | Wt/Kg             |       |
| 8       | Taper Pin  | CARBON STEEL  | 40                        | 33               | 66            | 106          | 250               | 3.1   |
| 9       | Plug       |               | 50                        | 43               | 70            | 113          | 250               | 3.7   |
| 10      | Hand Lever | X P Q R       | 65                        | 46               | 76            | 121          | 250               | 4.5   |

| TECHNICAL DATA                 |  |
|--------------------------------|--|
| PRESSURE RATING                | PN10 & PN16                              |
| PRESSURE TESTING               | a) Body : 1.5 X PN<br>b) Seat : 1.1 X PN |
| TEMPERATURE                    | (-) 40° C TO 200° C                      |
| FACE TO FACE DIMENSION         | ISO-5752 / IS-13095/<br>BS-5155          |
| TO SUIT FLANGES DRILLED AS PER | IS,ANSI,BS,<br>DIN STANDARD              |
| OPERATION                      | Bidirectional                            |
| PAINTING                       | Epoxy coated                             |

| Size | L   | D   | T   | E   | Wt/Kg |
|------|-----|-----|-----|-----|-------|
| 40   | 33  | 66  | 106 | 250 | 3.1   |
| 50   | 43  | 70  | 113 | 250 | 3.7   |
| 65   | 46  | 76  | 121 | 250 | 4.5   |
| 80   | 46  | 89  | 129 | 250 | 4.8   |
| 100  | 52  | 96  | 147 | 250 | 6     |
| 125  | 56  | 109 | 158 | 250 | 7.9   |
| 150  | 56  | 133 | 176 | 315 | 11    |
| 200  | 60  | 158 | 200 | 315 | 15.5  |
| 250  | 68  | 194 | 245 | 500 | 27    |
| 300  | 78  | 219 | 270 |     | 36    |
| 350  | 78  | 260 | 321 |     |       |
| 400  | 100 | 290 | 348 |     |       |
| 450  | 108 | 320 | 373 |     |       |
| 500  | 127 | 360 | 410 |     |       |
| 600  | 149 | 420 | 470 |     |       |

ALL DIMENSIONS ARE IN mm

1. DUE TO CONTINUOUS DEVELOPMENT PROGRAM DIMENSIONS ARE SUBJECTED TO CHANGES WITHOUT ANY FURTHER NOTICE
2. OTHER MATERIALS UPON REQUEST.

|                   |                    |
|-------------------|--------------------|
| CUSTOMER :        | CERTIFICATION SEAL |
| ENQUIRY/ORDER NO: |                    |
| JOB PROJECTS :    |                    |
| OUR REF NO :      |                    |

Note : 1. SIZES UPTO 250MM WITH HAND LEVER OPERATED  
2. 300 & ABOVE SIZES WITH GEAR BOX OPERATED.

MANUFACTURERS : **FLOW CONTROL ENGINEERS** D-66, GOVT. INDUSTRIAL ESTATE  
BELGAUM - 590 008.