

# INFLOW

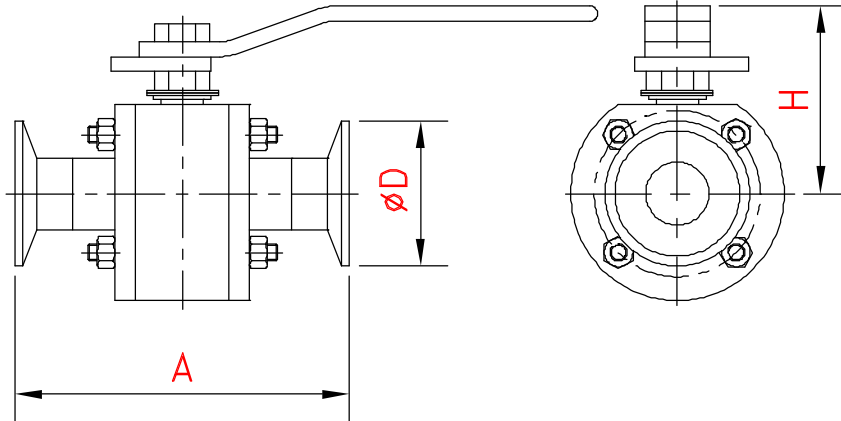
# BALL VALVES

PRODUCT DESCRIPTION : Floating Type Ball Valve with TC Flanges

SERIES : FJ1P

STANDARDS FOLLOWED Manufacturing : BS-5351/API 6D

Testing : BS-6755/API 6D



NOTE: KINDLY APPROVE THE SAME AS PER YOUR GIVEN DRAWING

Part No	Part Name	Material Code							SPECIFICATION OF MATERIAL			
		A	B	C	D	I	J	O				
12	Body	A	B	C	D	I	J	O	A=CS(BS)ASTM A216 Gr WCB	O=ASTM A 352 Gr LCB		
24	Pipe End	A	B	C	D	I	J	O	B=ASTM A 351 Gr CF8	P=ASTM A 217 Gr CA15		
33	Ball	E	B	C	D	I	J	F	C=ASTM A 351 Gr CF8M	E=AISI - 304		
36	Stem	J	E	F	D	I			D=ASTM A 351 Gr CN7M	F=ASISI - 316		
39	Gland	J	E	F	D	I			I=ASTM A 494 N 12MV	GFT= GLASS FILLED TEFLON		
31	Seat	PTFE	GFT	POM					J=ASTM A 494 CW 12MW			
38	Stem Seal	PTFE	GRAFOIL	GFT								
40	Spring Disc	SPRING STEEL							Size	Dimension Details		
37	Disc Bearing	GFT								A	ØD	H
69	Gland Nut	STEEL							1"	138	38.1	91.4
43	Stopper Plate	STEEL										
44	Lever	STEEL										
74	Stopper Pin	STEEL										
35	Body Seal	PTFE	SWG									
70	Lever Nut	STEEL										

TESTING DETAILS

HYDROSTATIC		PNEUMATIC SEAT
SHELL	SEAT	
100 Kg/cm <sup>2</sup>	50 Kg/cm <sup>2</sup>	Kg/cm <sup>2</sup>

ALL DIMENSIONS ARE IN mm

1. DUE TO CONTINUOUS DEVELOPMENT PROGRAM DIMENSIONS ARE SUBJECTED TO CHANGES WITHOUT ANY FURTHER NOTICE
2. OTHER MATERIALS UPON REQUEST.

CUSTOMER : MILLIPORE BANGALORE -58

ENQUIRY/ORDER NO:

JOB PROJECTS :

OUR REF NO :

CERTIFICATION SEAL

Note

1. FOR SIZE ABOVE 65mm FB 80mm RP BALL IS HOLLOW TYPE.
2. FACE TO FACE DIMENSION FOR FLOATING DESIGN WILL BE SHORT PATTERN AND FOR TRUNNION MOUNTED DESIGN WILL BE LONG PATTERN.

MANUFACTURERS : **FLOW CONTROL ENGINEERS**

D-66, GOVT. INDUSTRIAL ESTATE  
BELGAUM - 590 008.