



INFLOW

BALL VALVES

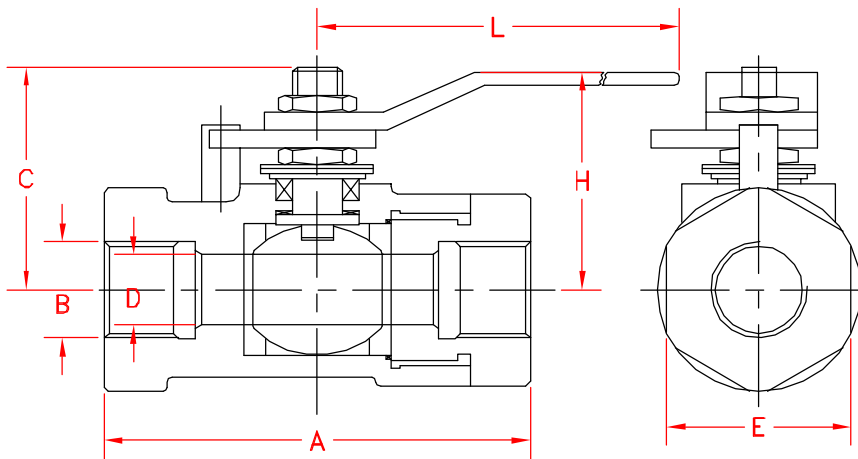
PRODUCT DESCRIPTION :

SERIES : FJ11

STANDARDS FOLLOWED

Manufacturing :

BS-EN ISO 17292/API 6D Testing : BS-6755/API 6D



Part No	Part Name	Material Code							SPECIFICATION OF MATERIAL								
		A	B	C	D	I	J	O									
12	Body	A	B	C	D	I	J	O	A=CS(BS)ASTM A216 Gr WCB	O=ASTM A 352 Gr LCB							
24	Pipe End	A	B	C	D	I	J	O	B=ASTM A 351 Gr CF8	P=ASTM A 217 Gr CA15							
33	Ball	E	B	C	D	I	J	F	C=ASTM A 351 Gr CF8M	E=AISI - 304							
36	Stem	J	E	F	D	I			D=ASTM A 351 Gr CN7M	F=ASISI - 316							
39	Gland	J	E	F	D	I			I=ASTM A 494 N 12MV	GFT= GLASS FILLED TEFLON							
31	Seat	PTFE	GFT	POM					J=ASTM A 494 CW 12MW								
38	Stem Seal	PTFE	GRAFOIL	GFT													
40	Spring Disc	SPRING STEEL							Size	Dimension Details							
37	Disc Bearing	GFT							A	B	C	øD	E	L	H	Class	
69	Gland Nut	STEEL							10RP	60	3/8"BSP	32	6	A/F 33	109	41	800
43	Stopper Plate	STEEL							15RP	65	1/2"BSP	36.45	9.5	A/F 33	112	46	
44	Lever	STEEL							20RP	71	3/4"BSP	45.45	12.5	A/F 39	112	52	
74	Stopper Pin	STEEL							25RP	94	1 "BSP	52.75	19	A/F 46	146	67	
35	Body Seal	PTFE	SWG						32RP	106	1/4"BSP	65	25	A/F 56	146	71	
70	Lever Nut	STEEL							40RP	115	1/2"BSP	85	32	A/F 70	178	87	
									50RP	126	2"BSP	89	38	A/F 80	178	90	

ALL DIMENSIONS ARE IN mm

1. DUE TO CONTINUOUS DEVELOPMENT PROGRAM DIMENSIONS ARE SUBJECTED TO CHANGES WITHOUT ANY FURTHER NOTICE
2. OTHER MATERIALS UPON REQUEST.

TESTING DETAILS

HYDROSTATIC		PNEUMATIC SEAT
SHELL	SEAT	
100Kg/cm ²	70Kg/cm ²	7Kg/cm ²

CUSTOMER :
 ENQUIRY/ORDER NO:
 JOB PROJECTS :
 OUR REF NO :

CERTIFICATION SEAL

Note

1. FOR SIZE ABOVE 65mm FB 80mm RP BALL IS HOLLOW TYPE.
2. FACE TO FACE DIMENSION FOR FLOATING DESIGN WILL BE SHORT PATTERN AND FOR TRUNNION MOUNTED DESIGN WILL BE LONG PATTERN.

MANUFACTURERS : **FLOW CONTROL ENGINEERS**

D-66, GOVT. INDUSTRIAL ESTATE
 BELGAUM - 590 008.