

INFLOW

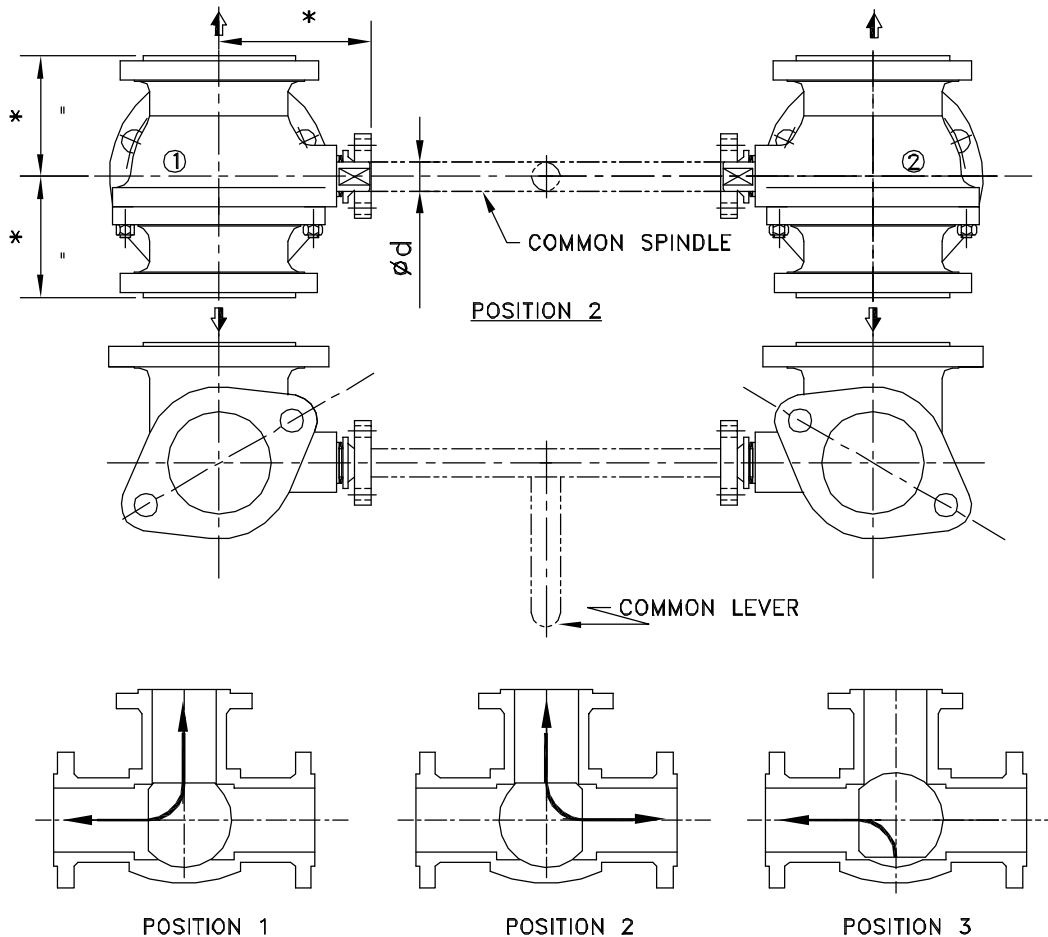
BALL VALVES

PRODUCT DESCRIPTION : FJ3W BALL VALVE WITH MODIFIED FLANGE SERIES : FJ3W



- NOTE: 1) * DIMENSION TO BE SPECIFIED BY SUPPLIER
 2) POSITION OF VALVE 1 & 2 SHOULD BE SAME AT ANY POSITION (i.e. FOR ALL THE THREE POSITIONS.)

TYPICAL ARRANGEMENT OF ONE SET OF VALVES SHOWING LOCATION OF SPINDLE WITH RESPECT TO INLET



CUSTOMER :	CERTIFICATION SEAL
ENQUIRY/ORDER NO:	
JOB PROJECTS :	
OUR REF NO :	

MANUFACTURERS : **FLOW CONTROL ENGINEERS** D-66, GOVT. INDUSTRIAL ESTATE BELGAUM - 590 008.



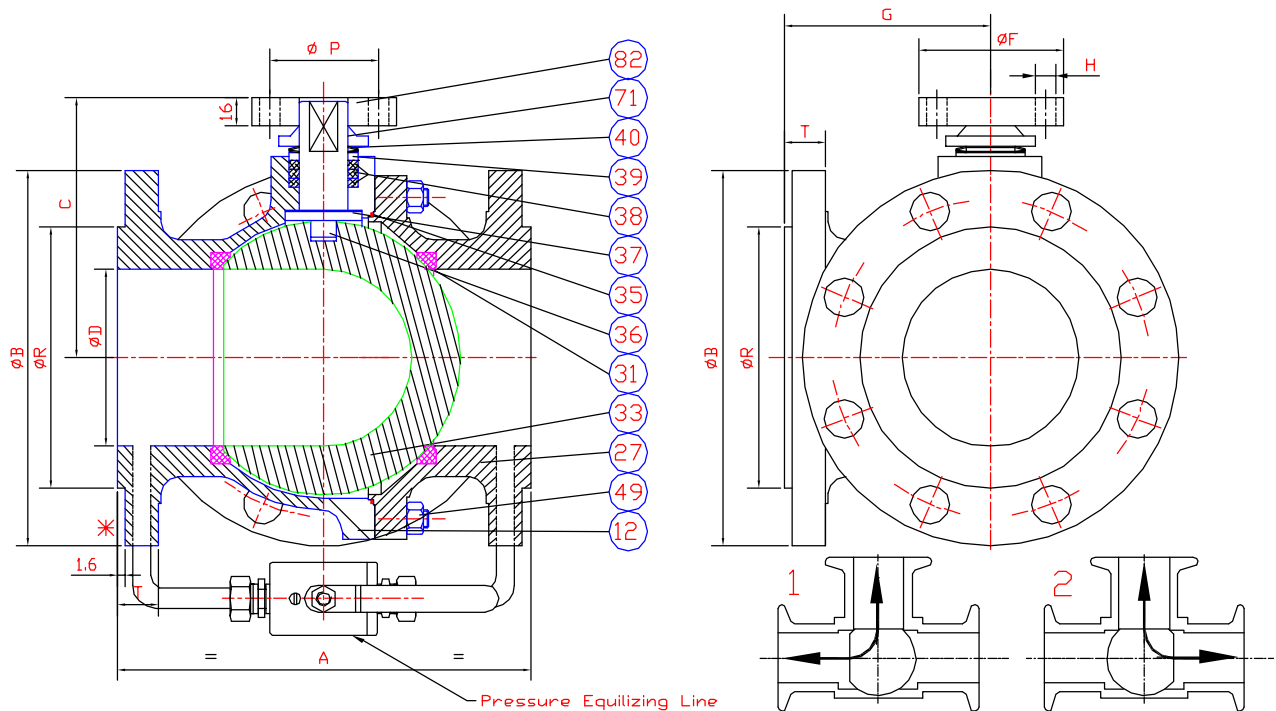
INFLOW

BALL VALVES

PRODUCT DESCRIPTION 'L' Port Flanged End Ball Valve

SERIES : FJ3W

MANUFACTURING STANDARD: BS EN 17292/ASME B16.34 API 6D Testing : BS-6755



* NOTE : 1.6 Raised Flange Face Machined to smooth finish

Part No	Part Name	Material Code							SPECIFICATION OF MATERIAL												
		A	B	C	D	I	J	□	G	A=CS(BS)ASTM A216 Gr WCB	□=ASTM A 352 Gr LCB	B=ASTM A 351 Gr CF8	P=ASTM A 217 Gr CA15	C=ASTM A 351 Gr CF8M	E=AISI - 304	D=ASTM A 351 Gr CN7M	F=ASISI - 316	I=ASTM A 494 N 12MV	GFT= GLASS FILLED TEFLON	J=ASTM A 494 CW 12MW	G= M.S. BAR STOCK
12	Body	A	B	C	D	I	J	□	G												
27	Tail Piece	A	B	C	D	I	J	□	G												
33	Ball	E	E	C	D	I	J	F													
36	Stem	J	P	F	D	I															
39	Gland	J	P	F	D	I															
31	Seat	PTFE	GFT	PDM																	
38	Stem Seal	PTFE	GRAFOIL	GFT																	
40	Spring Disc	SPRING STEEL																			
35	Body Seal	PTFE	SWG	GFT																	
37	Disc Bearing	GFT																			
49	Body Stud & Nut	H.T.																			
71	Gland flange	Steel																			
82	Operating Flange	C.I.																			
										Dimension Details											
										Size	A	φB	C	φD	T	φR	G	Class			
										32FB	140	117	84.7	32	13	63.5	86	150			
										40FB	165	127	89	38	17.5	73	92	150			
										50FB	214	152	127	52	19.5	92.1	107	150			
										65FB	207	178	136	65	17.5	104.8	125	150			
										80FB	245	190	162	76	19.5	127	140	150			
										100FB	280	229	201	102	24	157	159	150			

TESTING DETAILS	HYDROSTATIC		PNEUMATIC
	SHELL	SEAT	SEAT
	30Kg/cm ²	22Kg/cm ²	7Kg/cm ²

ALL DIMENSIONS ARE IN mm
 1. DUE TO CONTINUOUS DEVELOPMENT PROGRAM DIMENSIONS ARE SUBJECTUED TO CHANGES WITHOUT ANY FURTHER NOTICE
 2. OTHER MATERIALS UPON REQUEST.

CUSTOMER : _____
 ENQUIRY/ORDER NO: _____
 JOB PROJECTS : _____
 OUR REF NO : _____

CERTIFICATION SEAL

Note : 1. FOR SIZE ABOVE 65mm FB 80mm RP BALL IS HOLLOW TYPE.
 2. FACE TO FACE DIMENSION FOR FLOATING DESIGN WILL BE SHORT PATTERN AND FOR TRUNNION MOUNTED DESIGN WILL BE LONG PATTERN.