



INFLOW

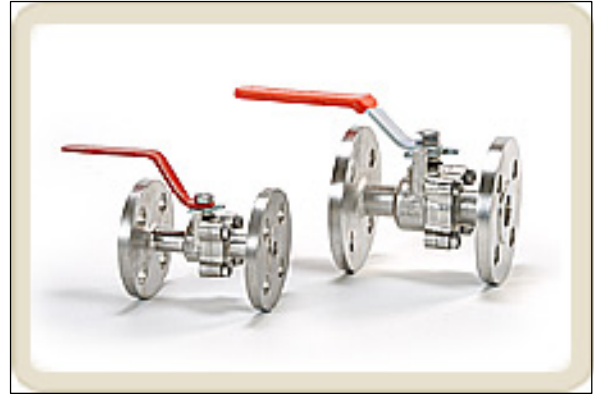
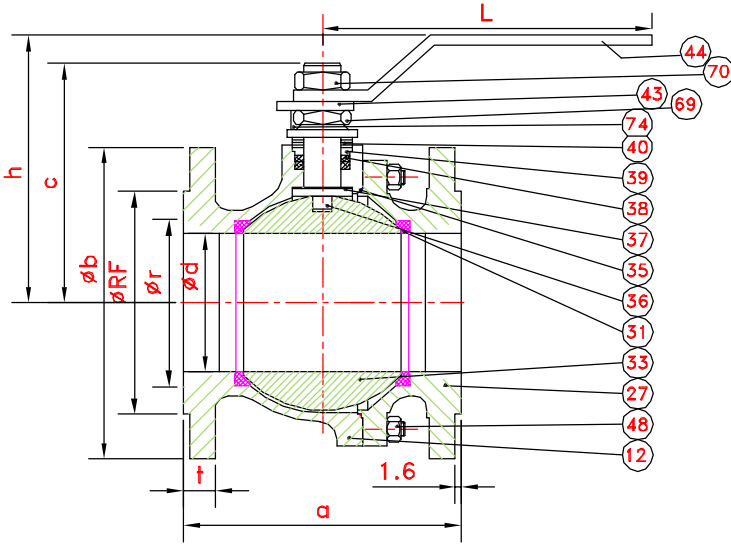
BALL VALVES

PRODUCT DESCRIPTION : Two Piece Full Port#150 Ball Valve

SERIES : FJ1R

MANUFACTURING STANDARDS: BS EN ISO 17292/ASME B16.34 API 6D

Testing : BS-6755/API 6D



Part No	Part Name	Material Code	SPECIFICATION OF MATERIAL	
12	Body	(A) B C D I J O	A=CS(BS)ASTM A216 Gr WCB	O=ASTM A 352 Gr LCB
27	Tail Piece	(A) B C D I J O	B=ASTM A 351 Gr CF8	P=ASTM A 217 Gr CA15
33	Ball	(E) B C D I J F	C=ASTM A 351 Gr CF8M	E=AISI - 304
36	Stem	J (E) F D I	D=ASTM A 351 Gr CN7M	F=AISI - 316
39	Gland	J (E) F D I	I=ASTM A 494 N 12MV	GFT= GLASS FILLED TEFLON
31	Seat	J (E) F D I	J=ASTM A 494 CW 12MW	
38	Stem Seal	PTFE		
40	Spring Disc	SPRING STEEL	Size	Dimension Details
37	Disc Bearing	GFT	a	ϕd
69	Gland Nut	M.S	ϕr	ϕb
43	Stopper Plate	M.S	t	c
44	Lever	M.S	h	
74	Stopper Pin	M.S		
35	Body Seal	PTFE		
70	Lever Nut	STEEL		
48	Body Nut	HT		

ALL DIMENSIONS ARE IN mm
 1. DUE TO CONTINUOUS DEVELOPMENT PROGRAM DIMENSIONS ARE SUBJECT TO CHANGES WITHOUT ANY FURTHER NOTICE
 2. OTHER MATERIALS UPON REQUEST.

TESTING DETAILS	HYDROSTATIC		PNEUMATIC SEAT
	SHELL	SEAT	
	30 Kg/cm ²	22 Kg/cm ²	6 Kg/cm ²

CUSTOMER :	CERTIFICATION SEAL
ENQUIRY/ORDER NO:	
JOB PROJECTS :	
OUR REF NO :	

Note : 1. FOR SIZE ABOVE 65mm FB 80mm RP BALL IS HOLLOW TYPE.
 2. FACE TO FACE DIMENSION FOR FLOATING DESIGN WILL BE SHORT PATTERN AND FOR TRUNNION MOUNTED DESIGN WILL BE LONG PATTERN.



INFLOW

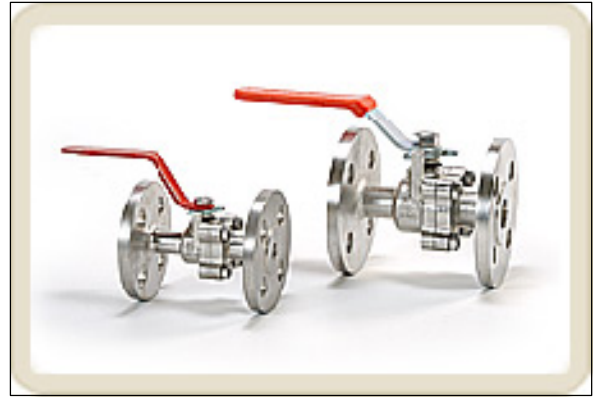
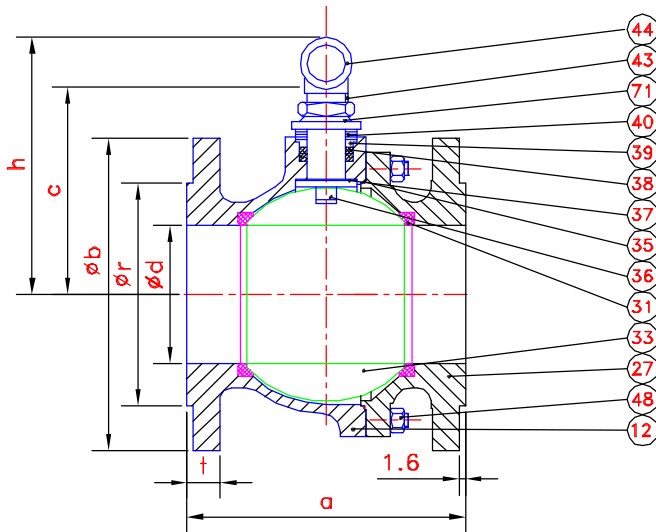
BALL VALVES

PRODUCT DESCRIPTION : Two Piece Full Port#150 Ball Valve

SERIES : FJ1R

MANUFACTURING STANDARDS: BS EN ISO 17292/ASME B16.34 API 6D

Testing : BS-6755/API 6D



Part No	Part Name	Material Code	SPECIFICATION OF MATERIAL	
12	Body	A B C D I J O	A=CS(BS)ASTM A216 Gr WCB	O=ASTM A 352 Gr LCB
24	Pipe End	A B C D I J O	B=ASTM A 351 Gr CF8	P=ASTM A 217 Gr CA15
33	Ball	E B C D I J F	C=ASTM A 351 Gr CF8M	E=AISI - 304
36	Stem	J E F D I	D=ASTM A 351 Gr CN7M	F=ASISI - 316
39	Gland	J E F D I	I=ASTM A 494 N 12MV	GFT= GLASS FILLED TEFLON
31	Seat	PTFE	J=ASTM A 494 CW 12MW	
38	Stem Seal	PTFE		
40	Spring Disc	SPRING STEEL	Size	Dimension Details
37	Disc Bearing	GFT	a	øb
69	Gland Nut	M.S	c	ød
43	Stopper Plate	M.S	ør	t
44	Lever	M.S	h	
74	Stopper Pin	M.S		
35	Body Seal	PTFE		
70	Lever Nut	STEEL		

Class
150

ALL DIMENSIONS ARE IN mm
1. DUE TO CONTINUOUS DEVELOPMENT PROGRAM DIMENSIONS ARE SUBJECTED TO CHANGES WITHOUT ANY FURTHER NOTICE
2. OTHER MATERIALS UPON REQUEST.

TESTING DETAILS	HYDROSTATIC		PNEUMATIC SEAT
	SHELL	SEAT	
	30 Kg/cm2	22 Kg/cm2	7 Kg/cm2

CUSTOMER : _____

ENQUIRY/ORDER NO: _____

JOB PROJECTS : _____

OUR REF NO : _____

CERTIFICATION SEAL

Note : 1. FOR SIZE ABOVE 65mm FB 80mm RP BALL IS HOLLOW TYPE.
2. FACE TO FACE DIMENSION FOR FLOATING DESIGN WILL BE SHORT PATTERN AND FOR TRUNNION MOUNTED DESIGN WILL BE LONG PATTERN.