

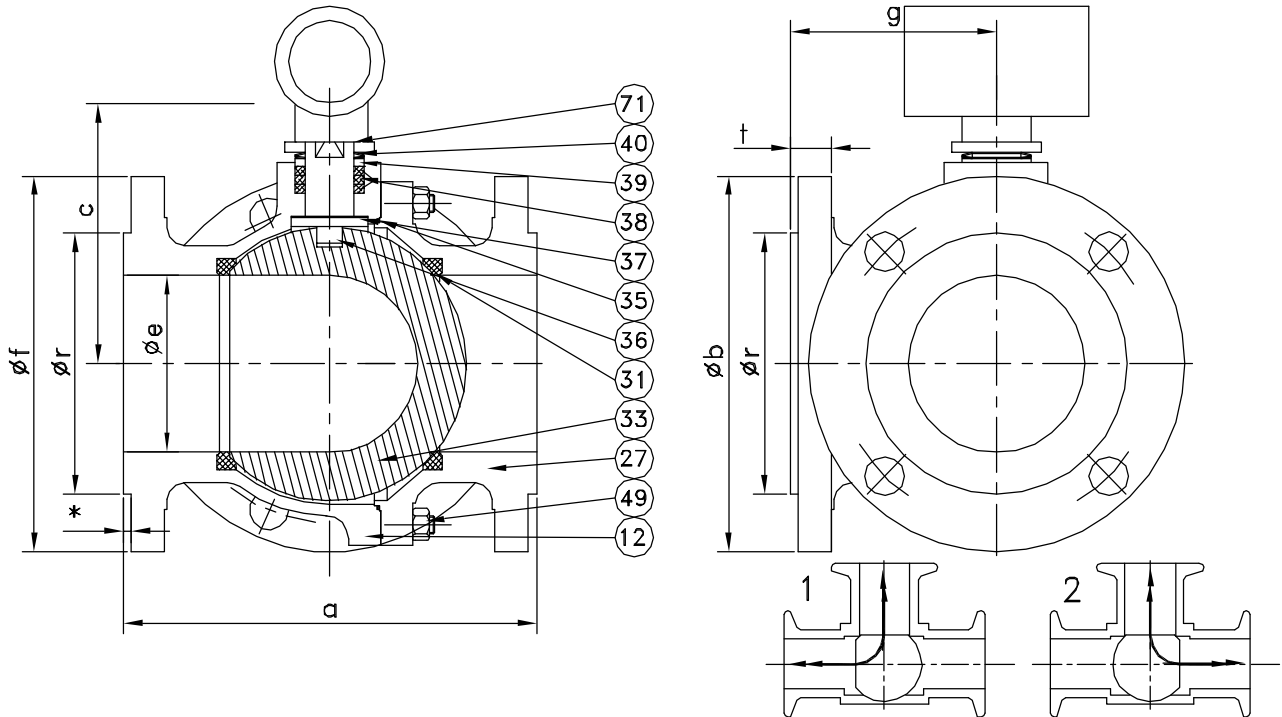


INFLOW

BALL VALVES

PRODUCT DESCRIPTION : L Port Flanged Ball Valve (ShortPattern) SERIES : FJ3W

MANUFACTURING STANDARDS: BS EN ISO 17292/ASMI B16.3 API 6D Testing : BS-6755/API 6D



*

Part No	Part Name	Material Code								SPECIFICATION OF MATERIAL									
		A	B	C	D	I	J	O	G										
12	Body	A	B	C	D	I	J	O	G	A=CS(BS)ASTM A216 Gr WCB	O=ASTM A 352 Gr LCB								
27	Tail Piece	A	B	C	D	I	J	O	G	B=ASTM A 351 Gr CF8	P=ASTM A 217 Gr CA15								
33	Ball	E	B	C	D	I	J	F		C=ASTM A 351 Gr CF8M	E=AISI - 304								
36	Stem	J	E	F	D	I				D=ASTM A 351 Gr CN7M	F=ASISI - 316								
39	Gland	J	E	F	D	I				I=ASTM A 494 N 12MV	GFT= GLASS FILLED TEFLON								
31	Seat	PTFE		GFT		POM				J=ASTM A 494 CW 12MW	G= M.S. BAR STOCK								
38	Stem Seal	PTFE		GRAFOIL		GFT				Dimension Details									
40	Spring Disc	SPRING STEEL								Size	Class								
35	Body Seal	PTFE		SWG		GFT				a	øf	c	øe	t	ør	g			
37	Disc Bearing	GFT								50FB	178	152	129	51	16.0	STD	107		
49	Body Stud & Nut	H.T.								65FB	190	178	130	65	17.5	STD	125		
71	Gland flange	Steel								80FB	226	191	162	76	19.5	STD	133		
82	Operating Flange	M.S.								100FB	229	229	185	102	24.0	STD	157		
										150FB	267	279	233	152	25.5	STD	184		
TESTING DETAILS		HYDROSTATIC		PNEUMATIC															
		SHELL		SEAT		SEAT													
		30Kg/cm2		22Kg/cm2		7Kg/cm2													
		ALL DIMENSIONS ARE IN mm																	
		1. DUE TO CONTINUOUS DEVELOPMENT PROGRAM DIMENSIONS ARE SUBJECTUED TO CHANGES WITHOUT ANY FURTHER NOTICE																	
		2. OTHER MATERIALS UPON REQUEST.																	

CUSTOMER :
 ENQUIRY/ORDER NO :
 JOB PROJECTS :
 OUR REF NO :

CERTIFICATION SEAL

Note : 1. FOR SIZE ABOVE 65mm FB 80mm RP BALL IS HOLLOW TYPE.
 2. FACE TO FACE DIMENSION FOR FLOATING DESIGN WILL BE SHORT PATTERN AND FOR TRUNNION MOUNTED DESIGN WILL BE LONG PATTERN.

MANUFACTURERS : **FLOW CONTROL ENGINEERS**

D-66, GOVT. INDUSTRIAL ESTATE
 BELGAUM - 590 008.